



**HEXINDO**

www.hexindo-tbk.co.id

*Pioneer of Rubber Crawler Carriers*



**MOROOKA**

# MST-800VD

5 ton payload crawler dumper



**5t**  
≡

- Compact & Sharp turning.
- Comfortable operation with simple travel levers.
- MITSUBISHI 4D34 Tier 2, Engine

**SCAN ME**

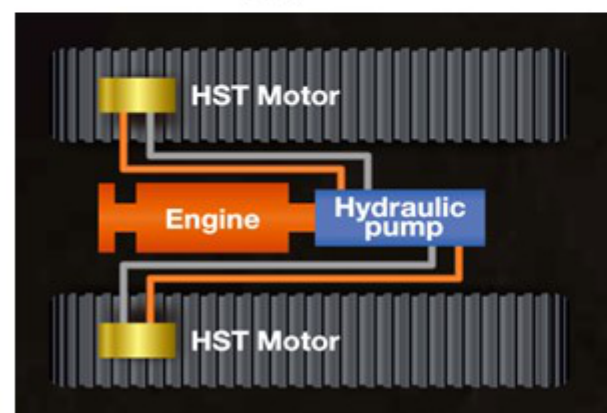


## Easy control with HST drive system

Simple & easy understand control lever and console panel



The H.S.T system completely eliminates the need for clutch and gear controls making the Morooka carrier highly maneuverable.



Specifications	
Model	MST-800VD
Machine Weight	6,570 kg
Maximum Payload	4,800 kg
Engine	Mitsubishi 4D34 Tier 2, EU stage II
Rated Output	81.6kw/2,200rpm
Overall Length	4,870 mm
Overall Width	2,410 mm
Overall Height	2,300 mm
Ground Clearance	400 mm
Crawler Width	600 mm
Travel Speed(Lo/Hi)	6.5/11.0 km/h
Dump Angle	49°
Dump Bed Type	Drop Side Read Door

## MST-800VD crawler dumper

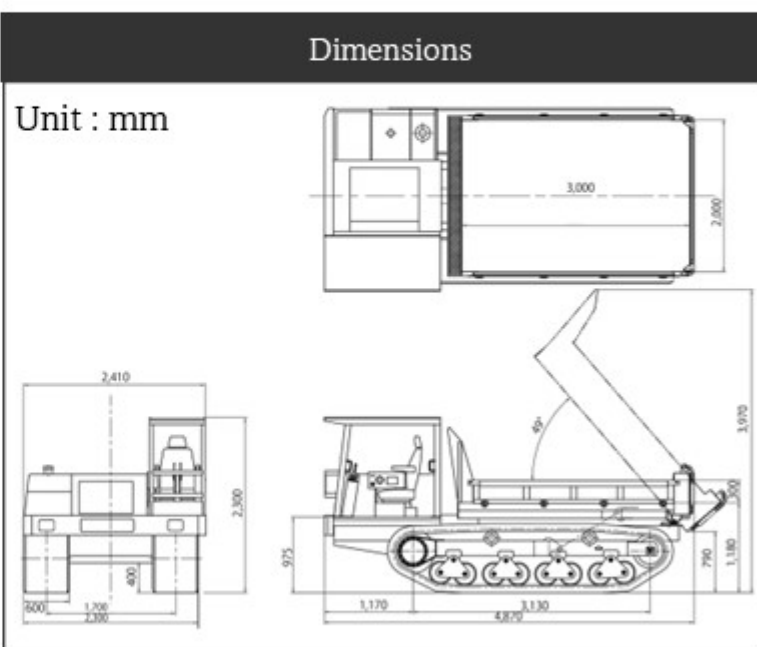
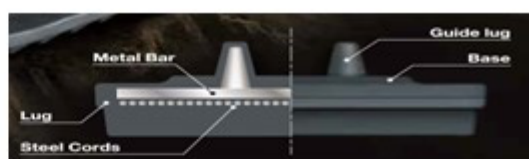


## Mining job site



## Durable Rubber Tracks

Rubber Tracks offer the best of all world with low ground pressure, high performance movement and excellent traction.







**HEXINDO**

www.hexindo-tbk.co.id



**MOROOKA**

# MST-800VDL

5 ton payload forestry forwarder



- Compact & Sharp turning.
- Comfortable operation with simple travel levers.
- MITSUBISHI 4D34 Tier 2, Engine

**SCAN ME**

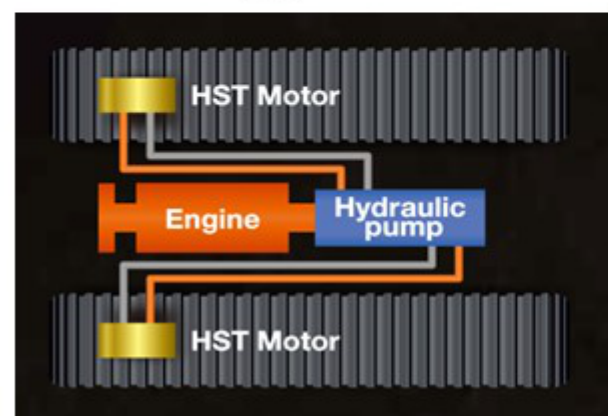


## Easy control with HST drive system

Simple & easy understand control lever and console panel

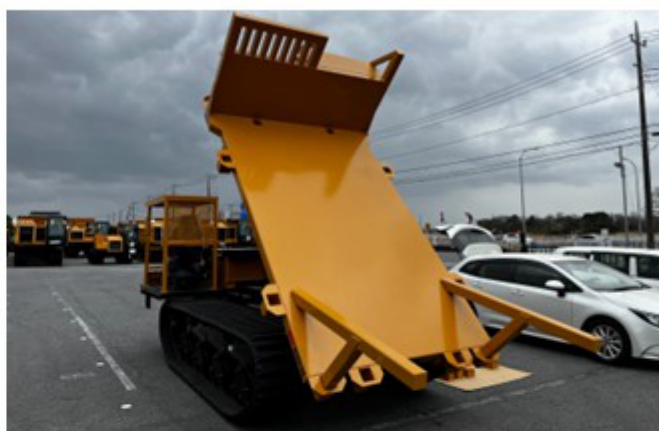


The H.S.T system completely eliminates the need for clutch and gear controls making the Morooka carrier highly maneuverable.



Specifications	
Model	MST-800VDL
Machine Weight	6,570 kg
Maximum Payload	4,800 kg
Engine	Mitsubishi 4D34
	Tier 2, EU stage II
Rated Output	81.6kw/2,200rpm
Overall Length	4,870 mm
Overall Width	2,410 mm
Overall Height	2,300 mm
Ground Clearance	400 mm
Crawler Width	600 mm
Travel Speed(Lo/Hi)	6.5/11.0 km/h
Dump Angle	49°
Dump Bed Type	Flat Dump Bed with pole

## MST-800VDL Forwarder



## Forestry jobsite



## Durable Rubber Tracks

Rubber Tracks offer the best of all world with low ground pressure, high performance movement and excellent traction.

