

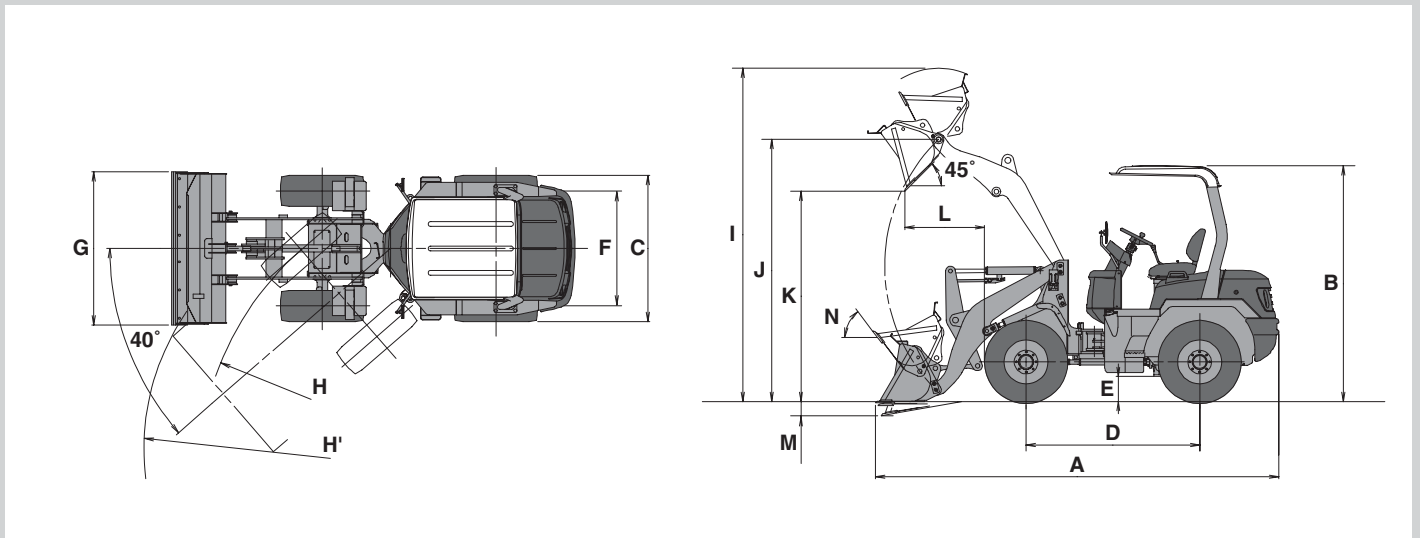
LX20

HITACHI

LX20

W H E E L L O A D E R

- Engine Rated Power : 21.3 kW (29 PS)
- Operating Weight : Canopy / Cab
2 645 kg (5 830 lb) / 2 820 kg (6 220 lb)
- Backhoe Bucket : ISO Heaped
0.4 m³ (0.5 yd³) – 0.65 m³ (0.9 yd³)



Unit : mm (ft in)

	LX20-7
A Overall length	4 140 (13'7")
B Height to top of canopy and cab	2 415 (7'11") / 2 460(8'1")
C Width over tires	1 505 (4'11")
D Wheel base	1 780 (5'10")
E Ground clearance	255 (10")
F Tread	1 180 (3'10")
G Bucket width	1 570 (5'2")
H Turning radius (centerline of outside tire)	3 040 (10'0")
H' Loader clearance circle, bucket in carry position	3 600 (11'10")
I Overall operating height	3 420 (11'3")
J Height to hinge pin, fully raised	2 685 (8'10")
K Dump clearance 45 degree, full height	2 155 (7'1")
L Reach, 45 degree dump, full height	815 (2'8")
Reach, 45 degree dump, 7 ft (2.13 m) clearance	840 (2'9")
M Digging depth (horizontal digging angle)	40 (2")
N Max. roll back at carry position	53 deg.
Tire size	12.5 / 70 - 16 - 6PR (L2)

Note: General purpose bucket with bolt on cutting edges.

STANDARD & OPTIONAL EQUIPMENT

	LX20		LX20		LX20
ENGINE		Indicator lights: Turn signals / Warning flashers / Park brake / High gear	●	Light material handling bucket with bolt on cutting edges : 0.5 m ³ (0.7 yd ³ : ISO heaped)	□
Coolant recovery tank	●	Parking brake (negative)	●	Wide (daily & livestock) bucket with bolt on cutting edges : 0.65 m ³ (0.9 yd ³ : ISO heaped)	□
Environmentally friendly engine oil drain	●	12-volt AM radio (for cab model only)	□	Quick-coupler and mechanical control system for quick-coupler locking pins, lines, and valves	□
Quick-release fuel filter and water separator	●	12-volt AM/FM radio (for cab model only)	□	Full line of Hitachi buckets for quick coupler with selection of bolt-on cutting edges	
Glow system (for cold start)	●	Ride control system (APS: Anti-pitching System)*	□	General purpose bucket with bolt on cutting edges : 0.4 m ³ (0.5 yd ³ : ISO heaped)	□
Double-element air cleaner	□			Light material handling bucket with bolt on cutting edges : 0.5 m ³ (0.7 yd ³ : ISO heaped)	□
Clog prevention net and fan	□			Wide (daily & livestock) bucket with bolt on cutting edges : 0.65 m ³ (0.9 yd ³ : ISO heaped)	□
		OPERATOR'S STATION		Full line of construction utilityforks, pallet forks, and attachments*	
POWER TRAIN		Canopy		Lumber and manure fork : Max load 750 kg (1 650 lb) (pin on type)	□
Hydrostatic (HST) transmission, electronic shift control, twist-grip lever, hydrostatic oil cooler, inching pedal, and two speeds forward and reverse	●	FRP roof	●	Lumber and manure fork : Max load 700 kg (1 540 lb) (for quick coupler)	□
		ROPS** / FOPS***	□	Roll grab : Max load 600 kg (1 320 lb) (pin on type)	□
		With front curved glass, 2 pillars and wiper	□	Roll grab : Max load 500 kg (1 100 lb) (for quick coupler)	□
		Cab			
		Steel cab (without ROPS / FOPS) / Front windshield washers / Safety grass	□		
HYDRAULIC SYSTEM		grass			
Automatic bucket return-to-dig control	●	ROPS** / FOPS*** / Multi-plane isolation mounted for noise/vibration reduction / Front and rear windshield washers / Safety grass	□		
Hydraulic filters, vertical mounting	●	Vinyl cab with front glass and vinyl shielding	□		
Two-function hydraulic valve with joystick control (mechanical controlled)	●	Heater / Defroster (Cab model only)	□		
Three-function hydraulic valve with joystick control and auxiliary lever for third function (mechanical controlled)	□	Air conditioning (for cab, factory or dealer installed)	□		
		Seat belt, 50mm (2 in.)	●		
		Seat belt, 76 mm (3 in.), with retractor*	□		
ELECTRICAL		Seat, vinyl covered, adjustable for fore-aft position	●	TIRES	
12-volt electrical system	●	Seat, vinyl covered, mechanical suspension, adjustable for weight-height, fore-aft position, backrest tilt	□	- Bias ply :	
Standard batteries (1), 12 volt with 490 CCA, 123-min. rated reserve	●	Seat, vinyl covered, adjustable for fore-aft position, backrest tilt	□	12.5/70-16-6PR (L2)	●
Alternator, 40 amps and 12 volts	●	Rubber floor mat	□	Tire chain (H type)	□
Alternator, high capacity, 60 amps and 12 volts	□	Steering wheel, textured with spinner knob	□	Spare tire with rim	□
Lights	●	Handholds, steps, and slip resistant	□	Spare rim	□
Driving with guards / Turn signals and flashers / Stop, tail and buck-up lights / Conform to SAE 99	●			Solid tires with rims per machine	□
Work lights on cab, front (2) (Cab model only)	□			Spare solid tire with rim	□
Work lights, rear (1) or (2) (Cab model only)	□			Standard tires and galvanized rims per machine	□
Horn, with push button in center of steering wheel	●			1 spare standard tire and galvanized rim	□
Conforms to SAE J994, J1446				1 spare galvanized rim	□
Buckup alarm	●	LOADER LINKAGE			
Monitor and alarm system, multi-function electronic	●	Z-bar loader linkage provides "high bucket breakout"	●	OTHERS	
Audible and visual warning include		High-lift boom*	□	Vandal protection, includes lockable engine enclosure, and fuel fill	●
Analog instruments: Engine coolant temperature / Fuel level / Hour-meter	●			Counter weight, built-in	●
Operator warning lights: Brake oil / Engine oil pressure / Alternator voltage (charge)	●			Power steering	●
		BUCKETS AND ATTACHMENTS		Lifting lig (4-point support)	□
		Full line of Hitachi pin on buckets with selection of bolt-on cutting edges, and bolt-on teeth*			
		General purpose bucket with bolt on cutting edges : 0.4 m ³ (0.5 yd ³ : ISO heaped)	●		

Note: ● Standard equipment □ Optional or special equipment

* : Contact your Hitachi dealer for further information.

** : ROPS (Roll Over Protective Structure) Conforms to ISO 3471;1994.

*** : FOPS (Falling Objects Protective Structure) Conforms to ISO 3449; 1992 Level II.



DIMENSIONS

Bucket type			Standard boom			High-lift boom
			General purpose	Light material handling	Wide(dairy&livestock)	General purpose
			With bolt-on cutting edges	With bolt-on cutting edges	With bolt-on cutting edges	With bolt-on cutting edges
Bucket capacity	ISO heaped	m ³ (yd ³)	0.4 (0.5)	0.5 (0.7)	0.65 (0.9)	
	ISO struck	m ³ (yd ³)	0.38 (0.5)	0.42 (0.5)	0.58 (0.8)	
Bucket width		mm (ft-in)	1 570 (5'2")	1 570 (5'2")	1 690 (5'7")	
Working range						
Dump clearance 45 degree, full height		mm (ft-in)	2 155 (7'1")	2 065 (6'9")	1 965 (6'5")	
Reach, 45 degree dump, full height		mm (ft-in)	815 (2'8")	910 (2'12")	1 005 (3'4")	
Reach, 45 degree dump, 7 ft (2.13 m) clearance		mm (ft-in)	840 (2'9")			
Digging depth (horizontal digging angle)		mm (ft-in)	40 (1.6")	40 (1.6")	40 (1.6")	
Overall height, bucket on ground(with FRP canopy)		mm (ft-in)	2 415 (7'11")	2 415 (7'11")	2 415 (7'11")	2 415 (7'11")
Overall height, bucket on ground(with ROPS canopy)		mm (ft-in)	2 500 (8'2")	2 500 (8'2")	2 500 (8'2")	2 500 (8'2")
Overall height, bucket on ground(with Steel cab)		mm (ft-in)	2 460 (8'1")	2 460 (8'1")	2 460 (8'1")	2 460 (8'1")
Overall operating height		mm (ft-in)	3 420 (11'3")	3 435 (11'3")	3 515 (11'6")	
Overall length (Bucket on ground)		mm (ft-in)	4 140 (13'7")	4 265 (13'12")	4 405 (14'5")	
Loader clearance circle, bucket in carry position		mm (ft-in)	3 600 (11'10")	3 635 (11'11")	3 725 (12'3")	
Static tipping load *	Straight	kgf (lbf)	1 650 (3 640)	1 600 (3 530)	1 560 (3 440)	
	Full 41 degree turn	kgf (lbf)	1 300 (2 870)	1 270 (2 800)	1 220 (2 690)	
Breakout force		kN	27	22	18	
		kgf (lbf)	2 800 (6 170)	2 200 (4 850)	1 800 (3 970)	
Operating weight *		kgf (lbf)	2 645 (5 830)	2 665 (5 880)	2 695 (5 940)	

Bucket type			Standard boom with quick-coupler		
			General purpose	Light material handling	Wide(dairy&livestock)
			With bolt-on cutting edges	With bolt-on cutting edges	With bolt-on cutting edges
Bucket capacity	ISO heaped	m ³ (yd ³)	0.4 (0.5)	0.5 (0.7)	0.65 (0.9)
	ISO struck	m ³ (yd ³)	0.38 (0.5)	0.42 (0.5)	0.58 (0.8)
Bucket width		mm (ft-in)	1 570 (5'2")	1 570 (5'2")	1 690 (5'7")
Working range					
Dump clearance 45 degree, full height		mm (ft-in)	2 060 (6'9")	1 965 (6'5")	1 865 (6'1")
Reach, 45 degree dump, full height		mm (ft-in)	910 (2'12")	1 000 (3'3")	1 100 (3'7")
Reach, 45 degree dump, 7 ft (2.13 m) clearance		mm (ft-in)			
Digging depth (horizontal digging angle)		mm (ft-in)	40 (0'1.6")	40 (1.6")	40 (1.6")
Overall height, bucket on ground(with FRP canopy)		mm (ft-in)	2 415 (7'11")	2 415 (7'11")	2 415 (7'11")
Overall height, bucket on ground(with ROPS canopy)		mm (ft-in)	2 500 (8'2")	2 500 (8'2")	2 500 (8'2")
Overall height, bucket on ground(with Steel cab)		mm (ft-in)	2 460 (8'1")	2 460 (8'1")	2 460 (8'1")
Overall operating height		mm (ft-in)	3 510 (11'6")	3 525 (11'7")	3 610 (11'10")
Overall length (Bucket on ground)		mm (ft-in)	4 270 (14'0")	4 400 (14'5")	4 540 (14'11")
Loader clearance circle, bucket in carry position		mm (ft-in)	3 635 (11'11")	3 670 (12'0")	3 765 (12'4")
Static tipping load *	Straight	kgf (lbf)	1 510 (3 330)	1 470 (3 240)	1 420 (3 130)
	Full 41 degree turn	kgf (lbf)	1 180 (2 600)	1 150 (2 540)	1 110 (2 450)
Breakout force		kN	21	17	14
		kgf (lbf)	2 150 (4 740)	1 750 (3 860)	1 450 (3 200)
Operating weight *		kgf (lbf)	2 725 (6 010)	2 745 (6 050)	2 775(6 120)

Notes: 1. All dimensions, weight and performance data based on ISO 6746-1:1987, ISO 7131:1997 and ISO 7546:1983

2. Static tipping load and operating weight marked with * include 15.5/60-18-8PR (L2) tires (no ballast) with lubricants, coolant, full fuel tank and operator. Machine stability and operating weight depend on counterweight, tire size and other attachments.

 **Hitachi Construction Machinery Co., Ltd.**

Head Office: 5-1 Koraku 2-chome, Bunkyo-ku,
Tokyo 112-8563, Japan

Telephone: (03)3830-8050

Facsimile: (03)3830-8202

*These specifications are subject to change without notice.
Illustrations and photos show the standard models, and may or may not include optional
equipment, accessories, and all standard equipment with some differences in color and features.*

KL-E097P

'02.06 (KA/KA, MT₃)